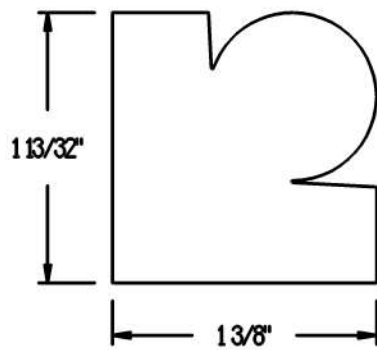


P4535



EF. San Juan, Inc

Date: 3/23/15

Drawn By: A0

Approved By: _____

Approved By: _____

Page: of

Full Scale