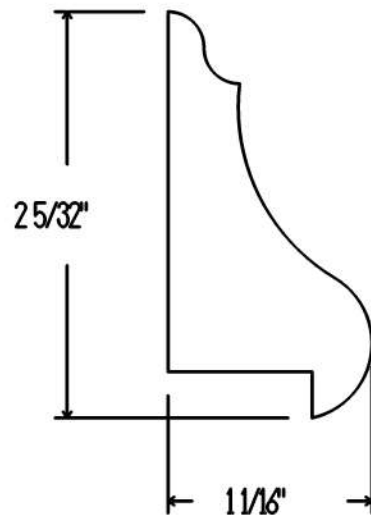


BC4278



Date: 2/18/09

Drawn By: RL

Approved By: _____

Approved By: _____

Full Scale

Page: of