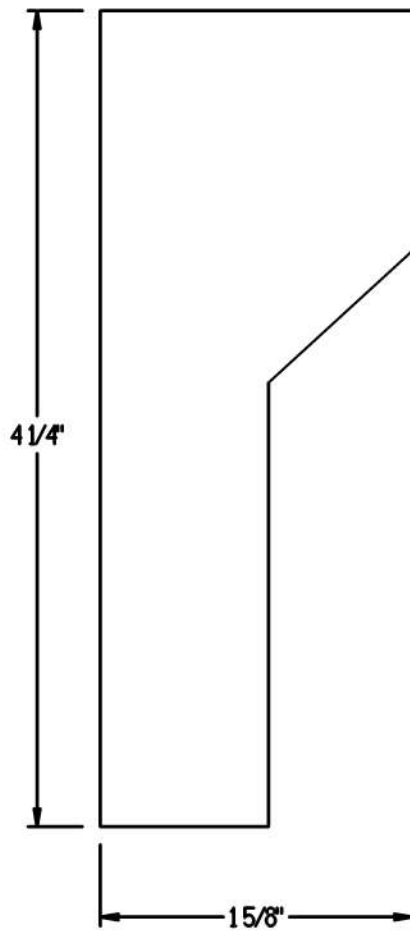


PB4569



Date: 3/4/09

Drawn By: RL

Approved By: \_\_\_\_\_

Approved By: \_\_\_\_\_

Full Scale

Page:    of