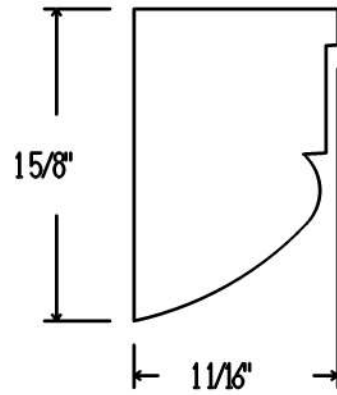


PM4209



Date: 10/31/08

Drawn By: RL

Approved By: \_\_\_\_\_

Approved By: \_\_\_\_\_

Full Scale

Page: of