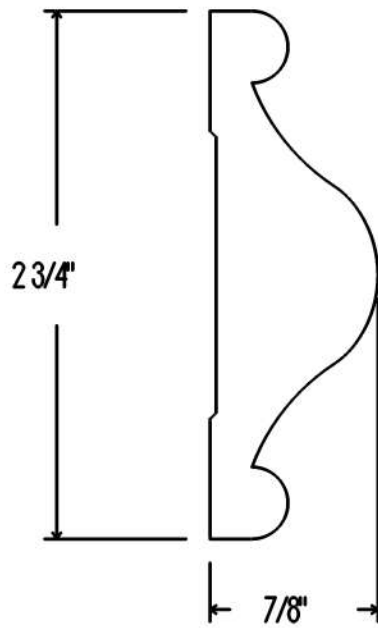


C4011



Date: 11/14/08

Drawn By: RL

Approved By: _____

Approved By: _____

Full Scale

Page: of