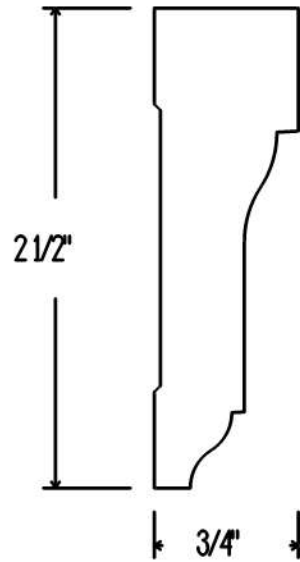


CS2179



EF. San Juan, Inc

Date: 7/23/09

Drawn By: RL

Approved By: _____

Approved By: _____

Page: of

Full Scale