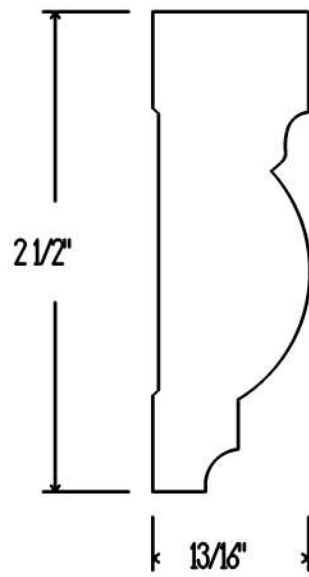


CS2109



Date: 10/30/08

Drawn By: RL

Approved By: _____

Approved By: _____

Full Scale

Page: of