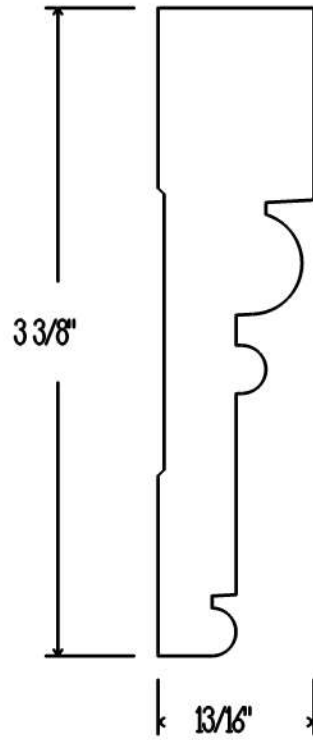


CS2189



EF. San Juan, Inc

Date: 1/28/10

Drawn By: RL/BS

Approved By: \_\_\_\_\_

Approved By: \_\_\_\_\_

Page: of

Full Scale