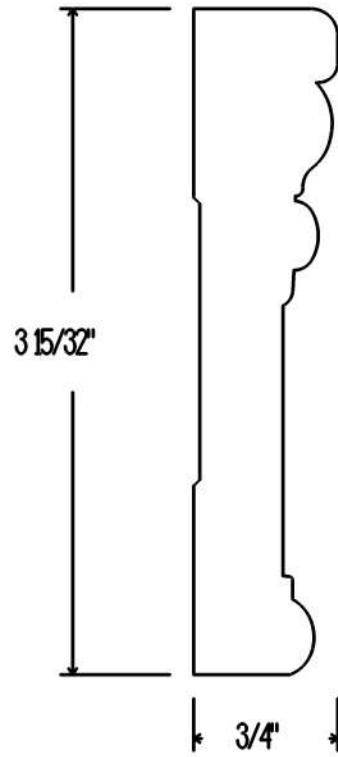


CS2155



EF. San Juan, Inc

Date: 3/25/09

Drawn By: RL

Approved By: \_\_\_\_\_

Approved By: \_\_\_\_\_

Page: of

Full Scale