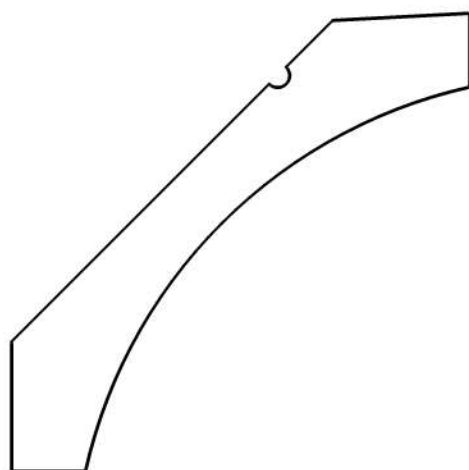


CR3322



3/4 x 3 3/8"  
Projection: 2 3/8"  
Height: 2 3/8"

Full Scale

Date: 1/23/08  
Drawn By: RL  
Approved By: \_\_\_\_\_  
Approved By: \_\_\_\_\_  
Page: \_\_\_\_\_ of \_\_\_\_\_