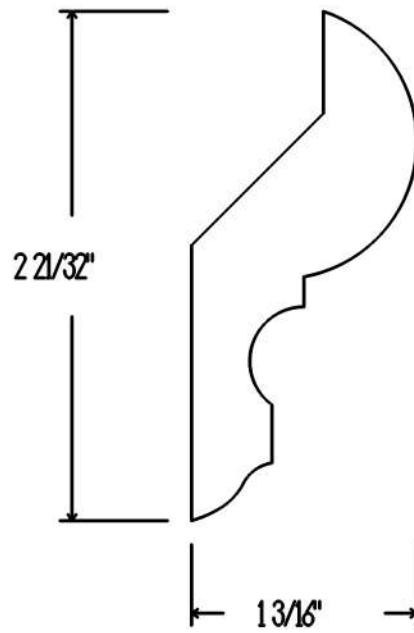


PM4532
Interior



Full Scale

EF. San Juan, Inc

Date: 9/30/15

Drawn By: A0

Approved By: _____

Approved By: _____

Page: of