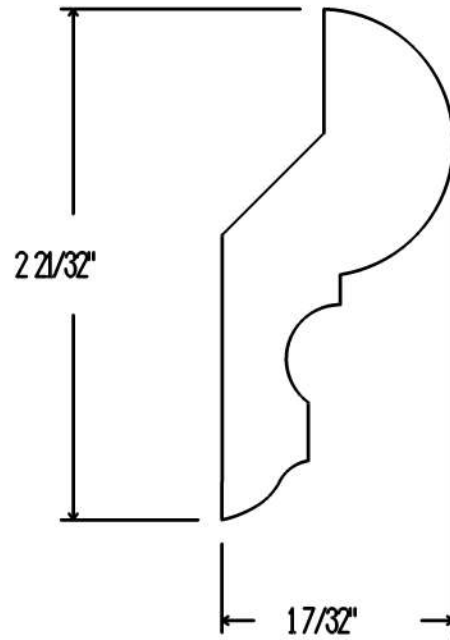


PM4533  
Exterior



Full Scale

EF. San Juan, Inc  
Date: 9/30/15  
Drawn By: A0  
Approved By: \_\_\_\_\_  
Approved By: \_\_\_\_\_  
Page: of